

Installation Instructions

Multiflex M S'match-it

14 11 2018



NOTA BENE

As a natural and living material, wood is moving due to relative humidity (RH). The wood shrinks in dry conditions and it expands in high relative humidity. In areas where the wood has been influenced by high or low RH for a longer period, damage in the wood may arise. Therefore it is important to keep the RH in the hall between 40-60%.

In order to provide the customer with the best use of product, this installation guide has to be followed carefully to guarantee conformity and ensure sports performance. If not, Tarkett Sports will not be responsible for damages following installation.

Any use of the product for purposes other than the ones set out in the conditions of use should be submitted to Tarkett for prior approval.

If you need any further information, please contact your dealer who will provide you with the appropriate advice.

I. Specification conditions before installation

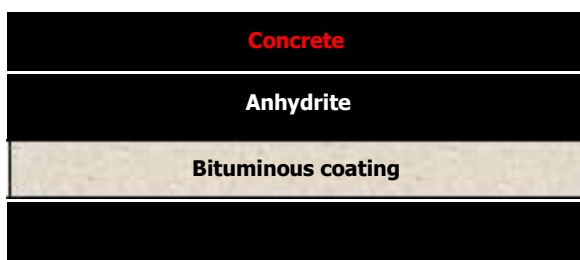
I.1. Unevenness of the support

Following Standard EN 14 904 §5.11, all holes and bumps must not exceed 6mm height and/or depth, under the 3 meters long ruler. Before installing any part of Multiflex M system, make sure this part is checked and in conformity with this Standard.



I.2. support water content

The moisture rate in the screed must in accordance with the local requirements, i.e. in France < 4,5% (concrete) - in Germany < 2% (concrete); anhydrite in France and Germany < 0.5%.....



Installation Instructions

Multiflex M S'match-it

14 11 2018

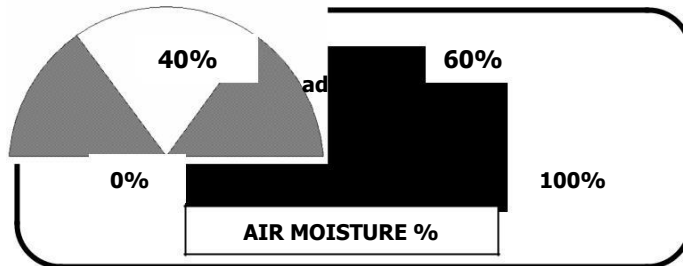
I.3. Atmospheric conditions



The timber products must be stored on their wedges, in a dry, heated indoor area – between 15 and 20°C (between 59 °F and 68°F), which means protected against wind and bad weather.

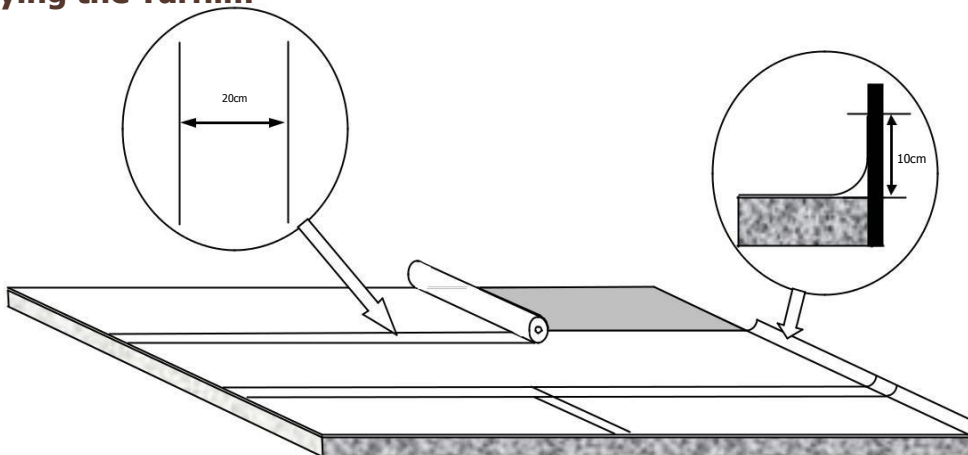
The packaging of timber products must not be removed before starting the installation.

The relative humidity must be between 40 and 60%.



II. Installation of the sub-construction

II.1. Laying the Tarfilm



Lay the first sheet on the ground. The second sheet is laid with 20cm overlapping the first, then tape the both sheets together. Do not forget to leave 10cm of Tarkolay along the edges against the walls.

Please note that on an asphalt screed or any other sub-floor with a risk of pollution or possible high humidity content, you will have to double the layers but in a 90° direction.

Installation Instructions

Multiflex M S'match-it

14 11 2018

II.2. Unrolling the Tarfoam 15mm

For a Multiflex system installation, roll out the foam alongside the area or across the width of the hall. We recommend unrolling in the width of the room, for those that are less or equal to 24 m width, in order to avoid seams in short ends.

When you lay the foam you may have to cut a roll and to connect it with another, so you will have to overlap the first roll with an extra width of 10cm. Then the foam will have to rest 12 hours to adapt (without any storage on it), then you will be able to cut off the extra overlapping to get a flat aspect. In order to lock up the rolls in the short ends, we recommend taping the rolls one to another.



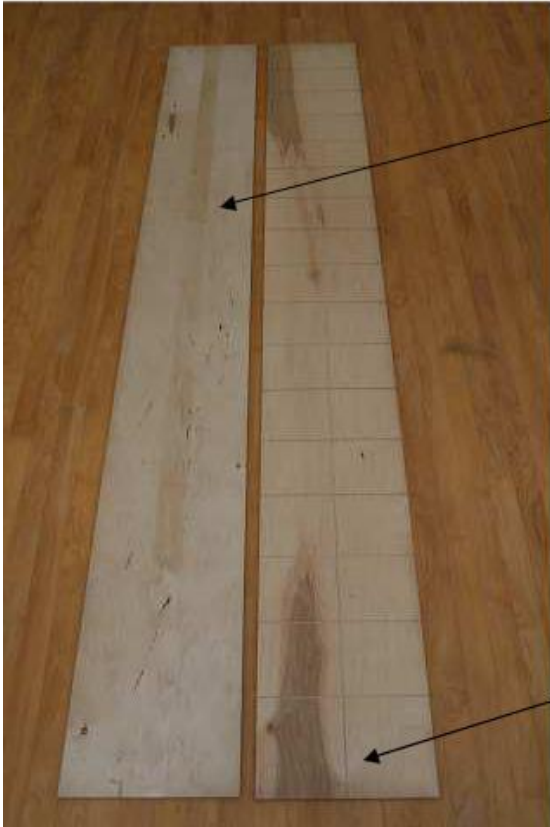
We recommend to use strong adhesive tapes PVC from buildings industry (Tesa, Depan'pro)



Do not forget to locate the centre of the anchors on the foam, that will help you to install the trapdoors (see paragraph 7 "Fixing the trapdoor" picture 1).

At doorways and entrance openings, leave a 10cm wide strip free of tarfoam; this should be filled with a 15 mm plywood for re-enforcement purposes. The same operation can be carried out to re-enforce parts that support heavy loads but you must keep in mind that these areas won't be in accordance with the EN14904 standard.

II.3. Laying of Tarflex Panels



Adhesive will be applied in the groove on Top side of the Tarflex panel.

Backside of the Tarflex panel – this side must be installed towards the foam.

The panels have to be laid from the wall at an angle of 45°. You must leave a gap – 5 to 10mm – between the panels. Do not forget to locate the centre of the anchor on the Tarflex panels (see paragraph 7 "Fixing the trap door" picture 1).

Installation Instructions

Multiflex M S'match-it

14 11 2018

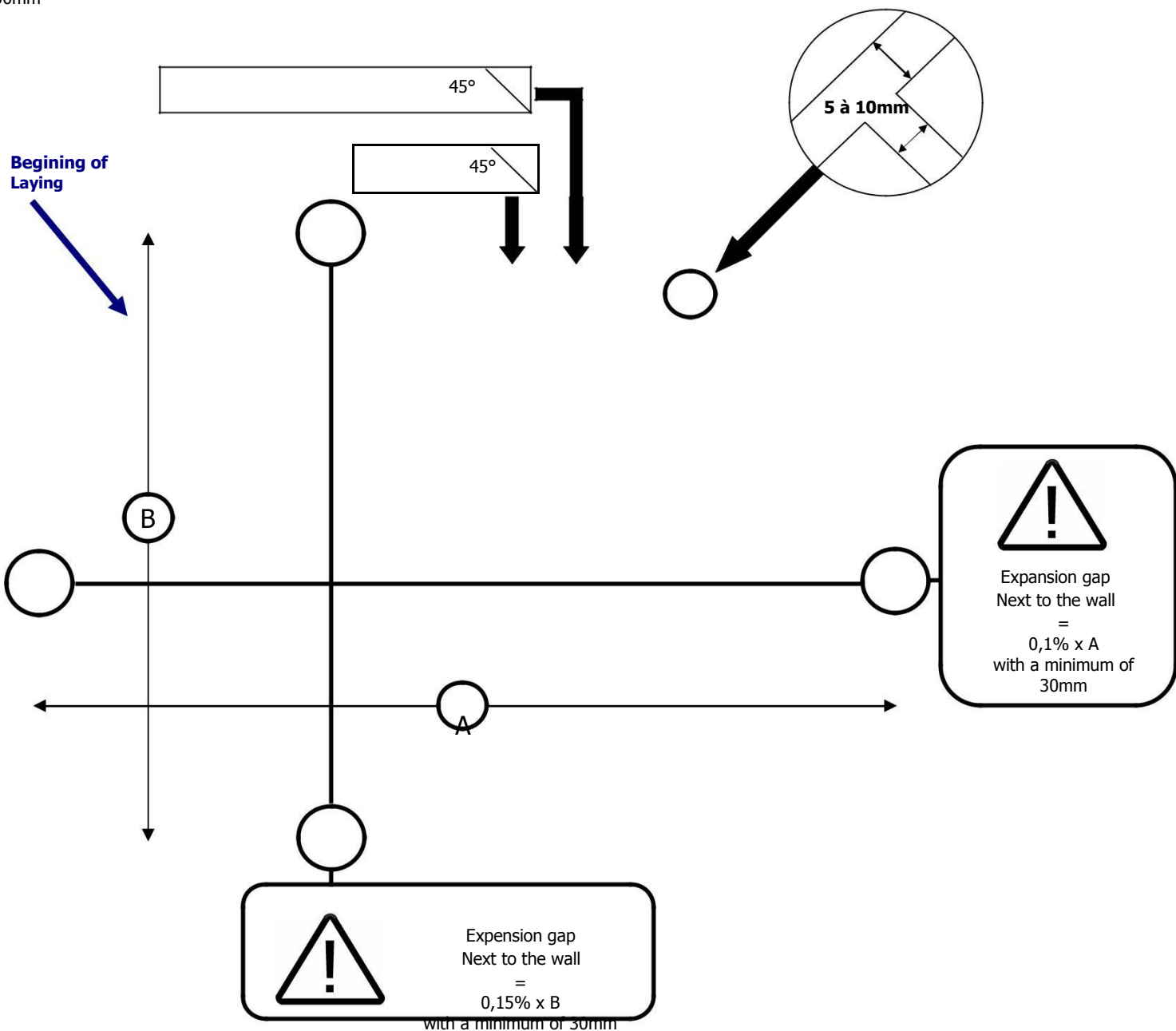
The expansion gap – all around the installation area should be at least 30mm.

The calculation method is:

Length: $0,10\% \times \text{length}$

Width: $0,15\% \times \text{width}$

For example, for a sportshall area of 40 x 20m, expansion gap should be as follows: Length: $40000\text{mm} \times 0,10\% = 40\text{mm}$ Width: $20000\text{mm} \times 0,15\% = 30\text{mm}$



Installation Instructions

Multiflex M S'match-it

14 11 2018

Installation of the first panel of Tarflex



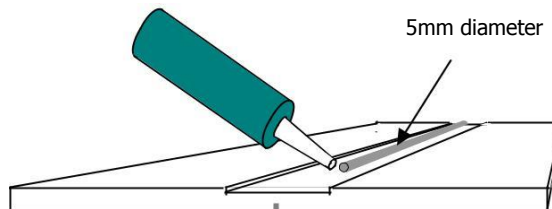
Special recommendation: always lay a complete panel board between two half panels



III. Laying of 14mm multilayer 2-Lock flooring

In the Tarflex panel, there is a re-cut groove that will be filled with the targlue

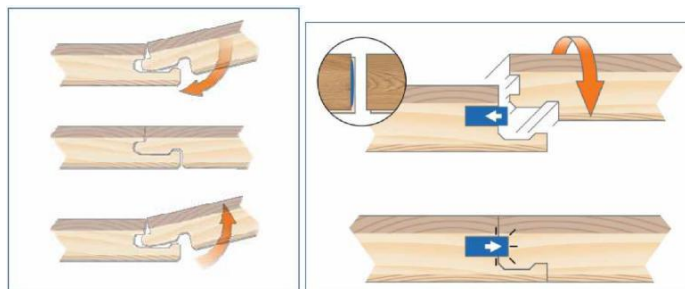
Packaging: 20 units per carton. 1 carton = 220 sqm. Quantity of adhesive to apply by using glue gun (Targun) - cardboard of 20 sausages or cylinders of 600ml each) – with 1 sausage you can make 11sqm, so with a cardboard you can lay 220sqm.



The glue has to be applied by zones, as shown above, just before laying down the 14mm multilayer, the open time for application of the glue is 10 minutes at a 20°C temperature (or 68°F)

2-Lock boards installation:

The 2-Lock system is a glue free system, and it doesn't need any taping. For the locking of the short wedge, you must exercise a slight press pressure on the short wedge to clip it.



Picture 1

Picture 2

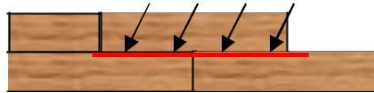
Installation Instructions

Multiflex M S'match-it

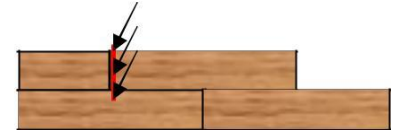
14 11 2018



1- Put the strip in place



2- First, lock the long side as shown on picture 1. Make sure that the short edges of the new and the previous panel are tight against each other.

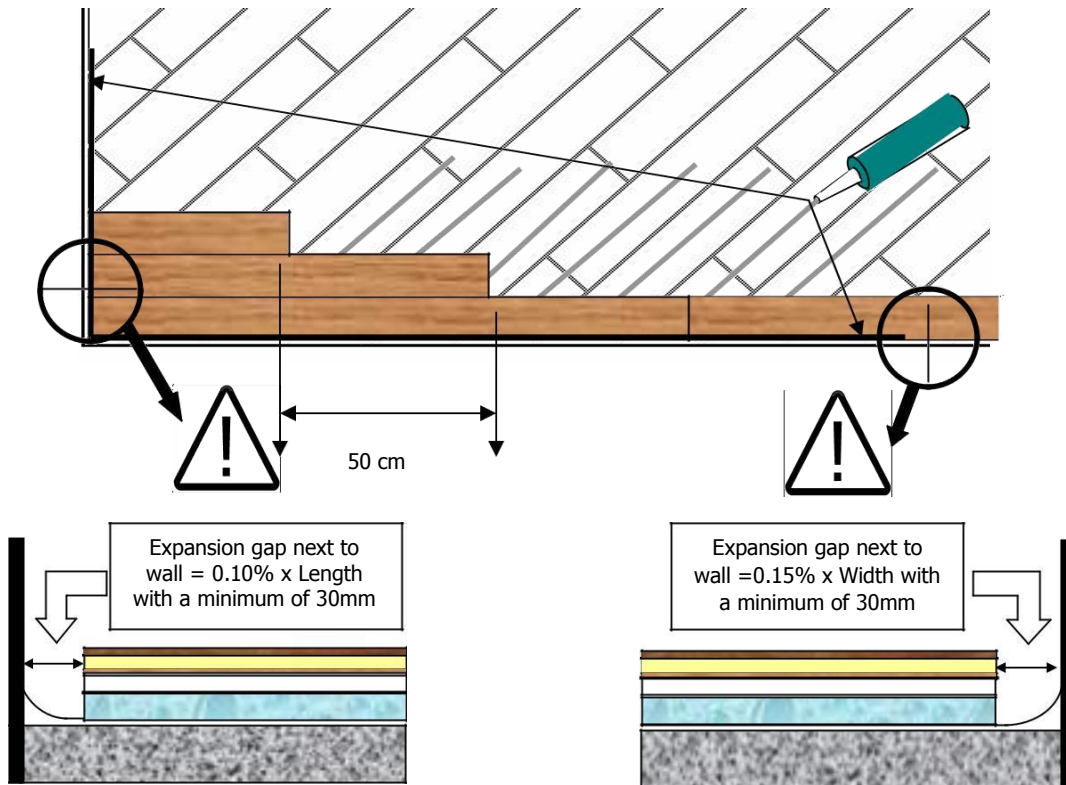


3- Fold the panel down in a single action movement with a slight press to the short end of the previous panel. During the fold down, make sure the panels are tight against each other.

Advice: 50cm a least between the shortends in 2 adjacent rows



For an easy installation follow carefully the recommended instructions. – Do not forget to apply several glue spots all around the area, along the walls.



Installation Instructions

Multiflex M S'match-it

14 11 2018



IV. Fixing the Trap Doors

When installing the foam and the Tarflex panels, locate the centre of the anchor, form a circular recess according to the diameter of the chosen trap door (check the diameter and the depth of the low part of the ring of the trap door before perforating the wooden floor)



Before laying the top layer - Apply glue all around the recess you have created

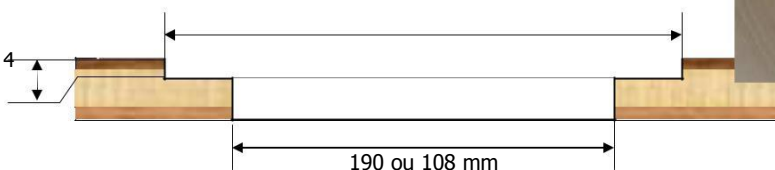


After having laid the top layer - locate the center of the anchor

Form a circular recess – according to the diameter of the chosen trap door (check the diameter of the trap door before perforating the wooden floor).



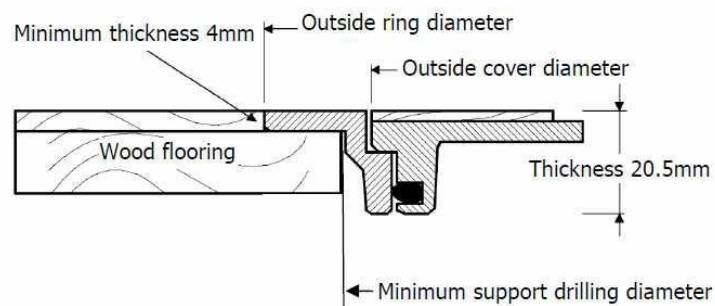
Minimum thickness 4 mm



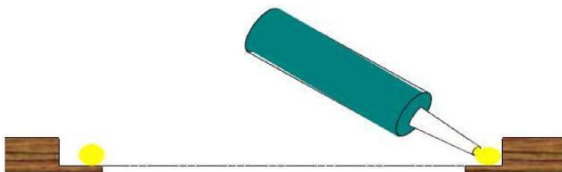
Installation Instructions

Multiflex M S'match-it

14 11 2018



Glue the frame using PU adhesive



Clean the frame carefully by using acetone



Permanent marking,

- Blanchon Thixo Tracé – Blanchon SA – phone number+33 4 72 89 06 00 –www.blanchon.com
 - Conipur 45 – BASF AG– phone number +41 58 958 22 44 –www.conica.com
 - Kipp – Indoor paint 2K for marking lines and Indoor paint 2C for surface painting - www.kipp-markierungen.de
- Follow the manufacturer's installation recommendations.

Temporary Games lines marking

- 3M – reference 471 - 5cm width -www.3M.com Follow the manufacturer's installation recommendations